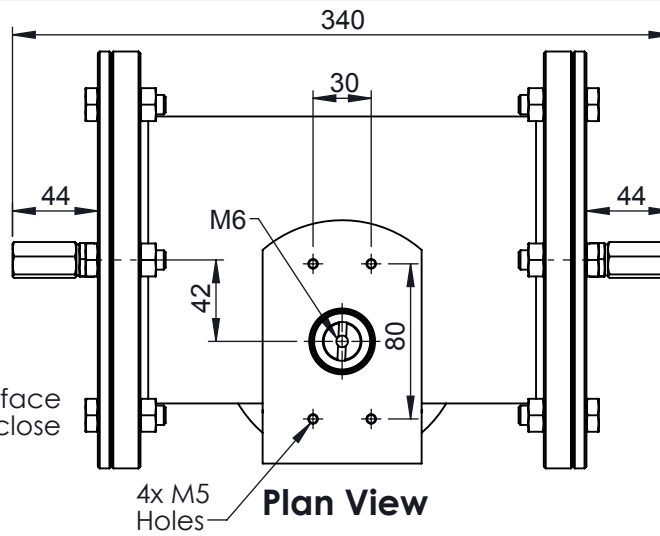
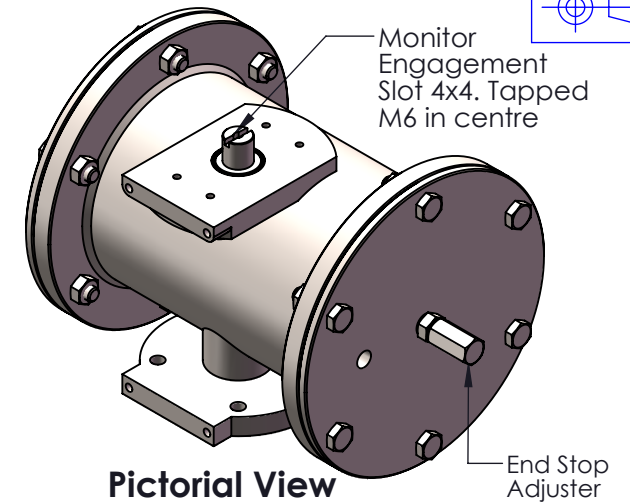


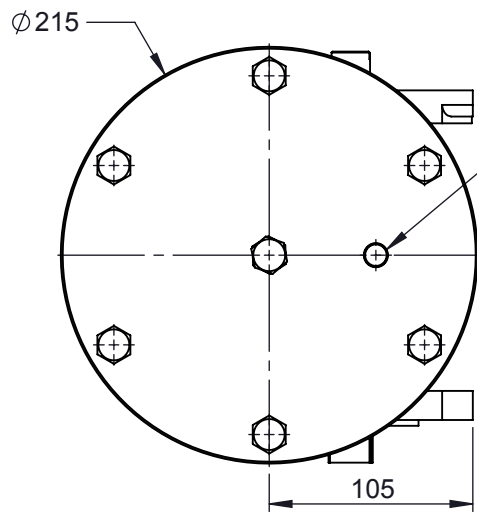
Underside Flange



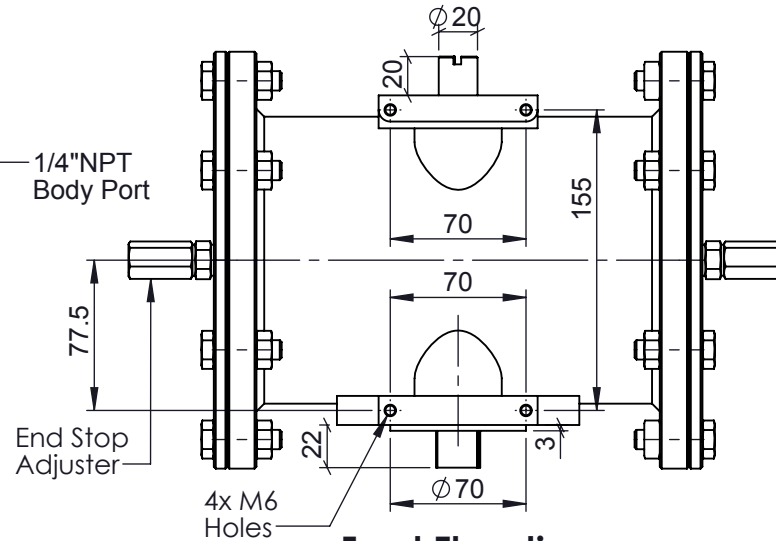
Plan View



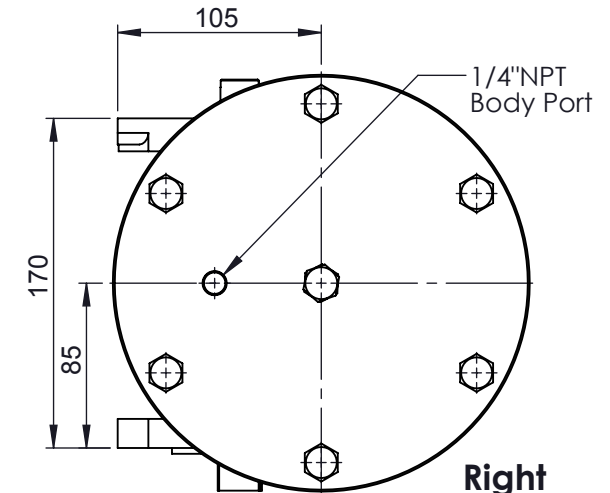
Pictorial View



Left Elevation



Front Elevation



Right Elevation

DA - Swept Volume (l) 1.01 litres

REV	DRAWN	DATE	CHK'D	ECO
	KY	17-3-14		14-2179
A				
B				
C				
D				
E				

Unless specified otherwise
 Dimensions in : mm
 Surface Finish : 3.2
 Tolerances
 Linear : ± 0.25mm
 Angular : ± 0.5°

TITLE:
**S/SX55 Actuator -Pneumatic
 DA/Cast Body - General
 Dimensions**

This private & confidential drawing is the property of Camtorc Actuators, UK and must not be copied or reproduced without the express written permission of the Company.



CAMTORC Actuators
 UK Tel : +44(0) 8700 340002
 www.camtorc.com

For reference and information only

MATERIAL: CS or 316SS

ESTIMATED WEIGHT (Kg): 22.0 Kg Approx.

DRG No: **SX55DA-DIM001**

ACTIVE

STATUS

A4

SCALE :-

SHEET 1 OF 1