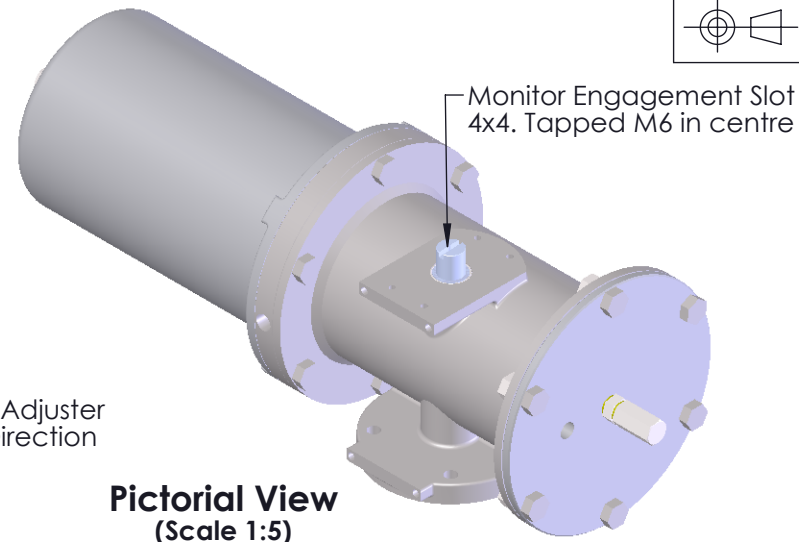
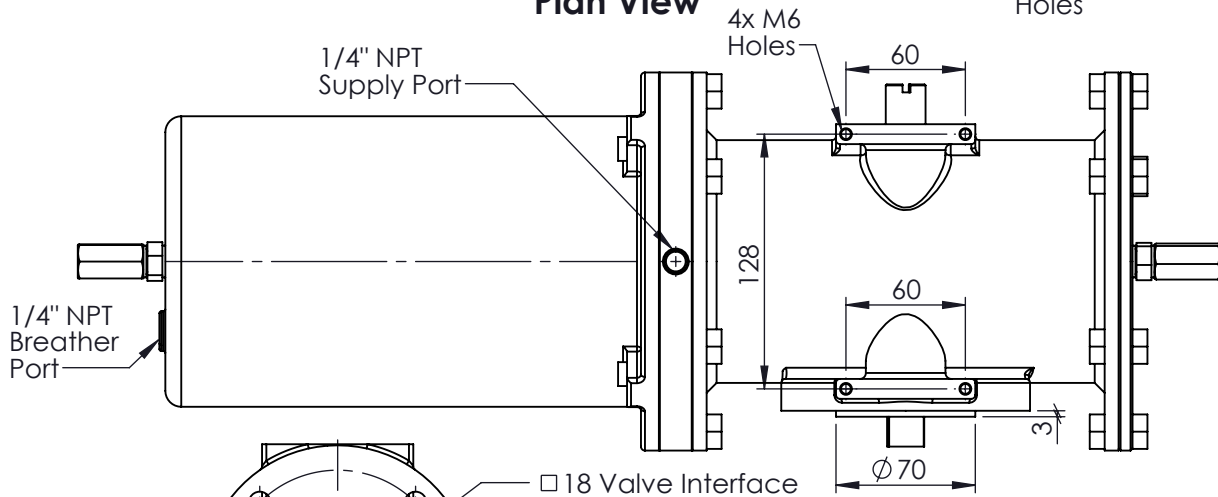


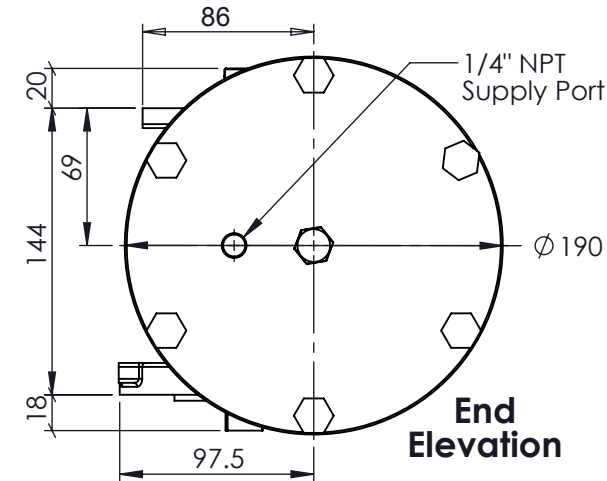
Plan View



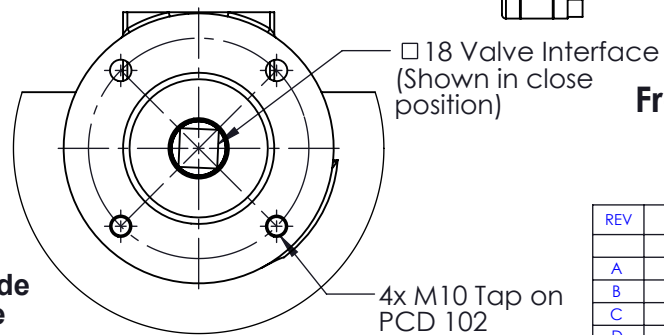
Pictorial View
(Scale 1:5)



Front Elevation



End Elevation



Underside Flange

SR - Swept Volume (l) 1.56 litres

REV	DRAWN	DATE	CHK'D	ECO
	KY	28/1/14		14-2179
A				
B				
C				
D				
E				

Unless specified otherwise
Dimensions in : mm
Surface Finish : 3.2
Tolerances
Linear : ± 0.25mm
Angular : ± 0.5°

TITLE:
S/SX45 SR Actuator - Pneumatic Fail Close / Cast Body - General Dimensions

This private & confidential drawing is the property of Camtorc Actuators, UK and must not be copied or reproduced without the express written permission of the Company.



CAMTORC Actuators
UK Tel : +44(0) 8700 340002
www.camtorc.com

For reference and information only
MATERIAL: CS or 316 SS
ESTIMATED WEIGHT (Kg): 33 Approx.

DRG No: **SX45FC-DIM002**
SCALE
SHEET 1 OF 1
ACTIVE
STATUS
A4