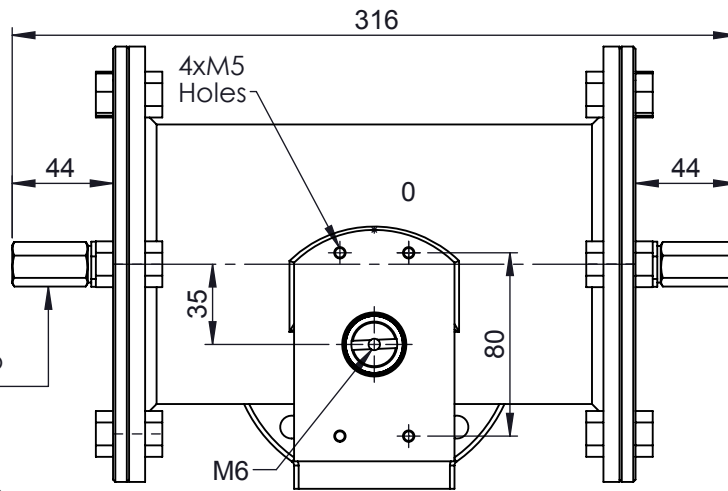


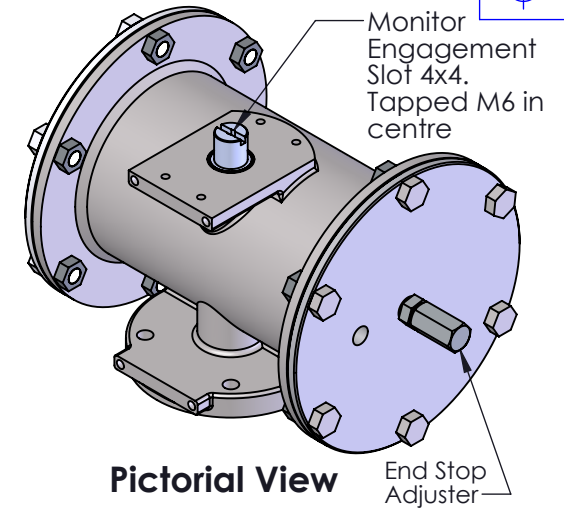
**Underside Flange**

18x18 Sq. Valve Interface (Shown in close position)



**Plan View**

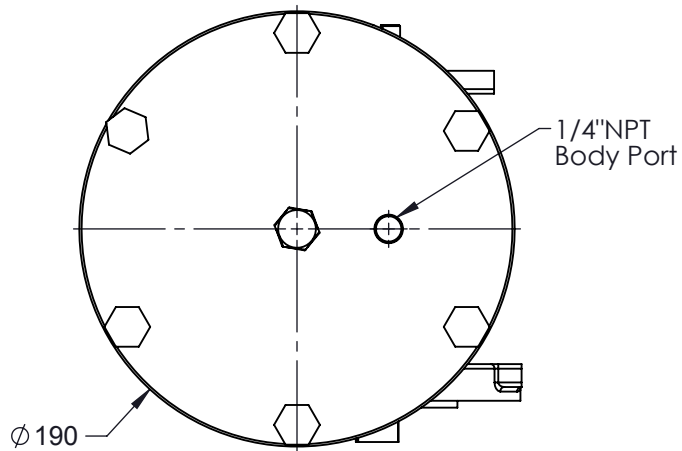
End Stop Adjuster



**Pictorial View**

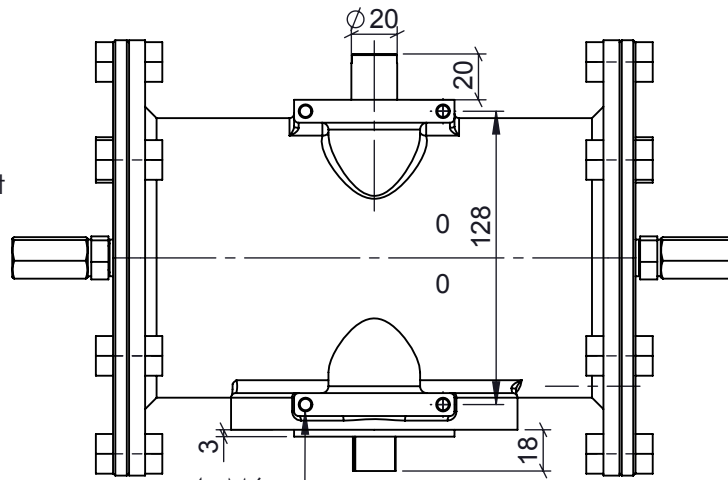
Monitor Engagement Slot 4x4. Tapped M6 in centre

End Stop Adjuster



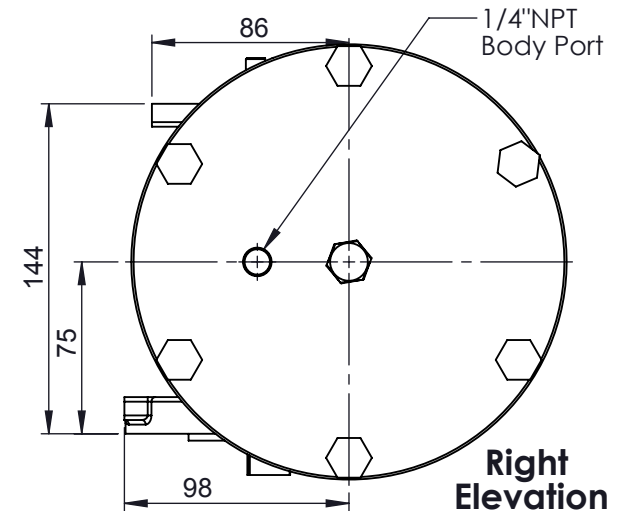
**Left Elevation**

1/4" NPT Body Port



**Front Elevation**

4x M6 Holes



**Right Elevation**

1/4" NPT Body Port

DA - Swept Volume (l) 0.64 litres

REV	DRAWN	DATE	CHK'D	ECO
	KY	28/1/14		14-2179
A				
B				
C				
D				
E				

Unless specified otherwise

Dimensions in : mm  
Surface Finish : 3.2  
Tolerances  
Linear : ± 0.25mm  
Angular : ± 0.5°

TITLE:

S/SX45 Actuator -Pneumatic DA/Cast Body - General Dimensions

This private & confidential drawing is the property of Camtorc Actuators, UK and must not be copied or reproduced without the express written permission of the Company.



**CAMTORC Actuators**  
UK Tel : +44(0) 8700 340002  
www.camtorc.com

For reference and information only

MATERIAL: CS or 316SS

ESTIMATED WEIGHT (Kg): 16 Kg Approx.

DRG No:

**SX45DA-DIM001**

SCALE :-

SHEET 1 OF 1

ACTIVE

STATUS

A4