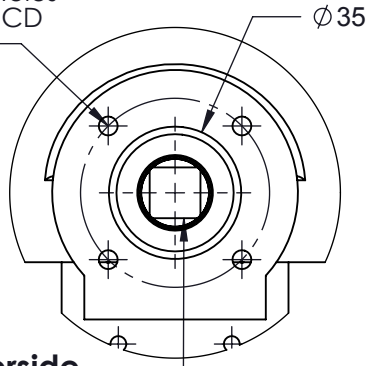
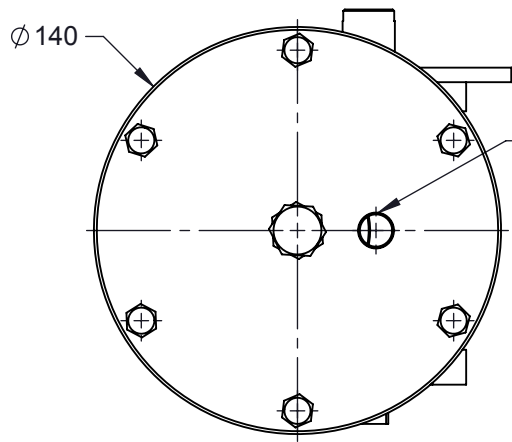


4x M6 Holes on 50 PCD (F50)

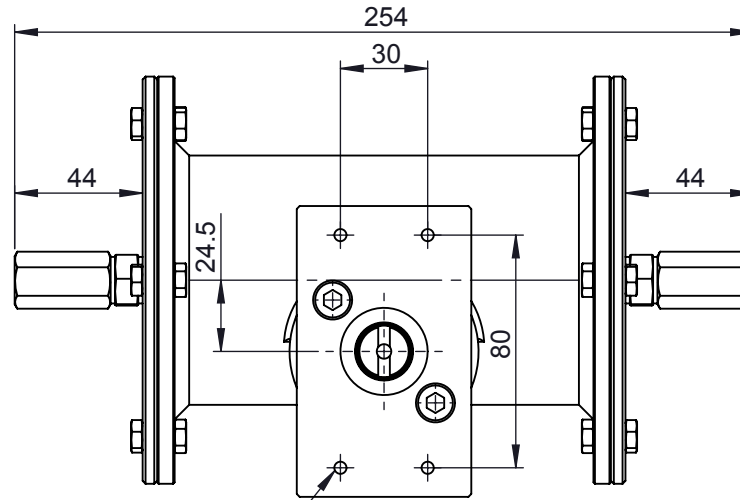


Underside Flange

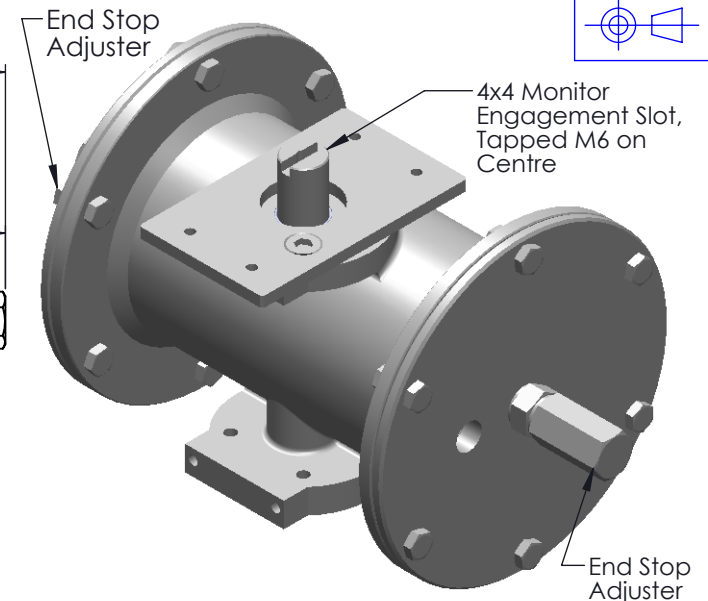
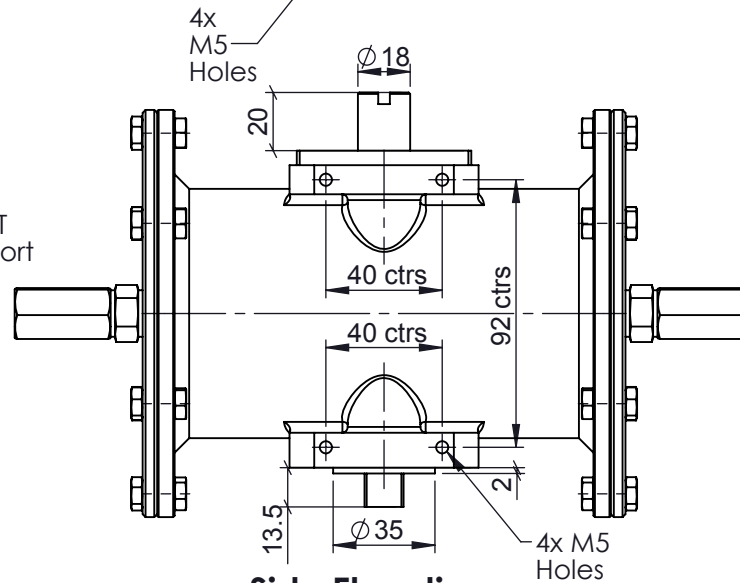
13.5x13.5 Sq. Valve Interface (Shown in close position)



Left Elevation



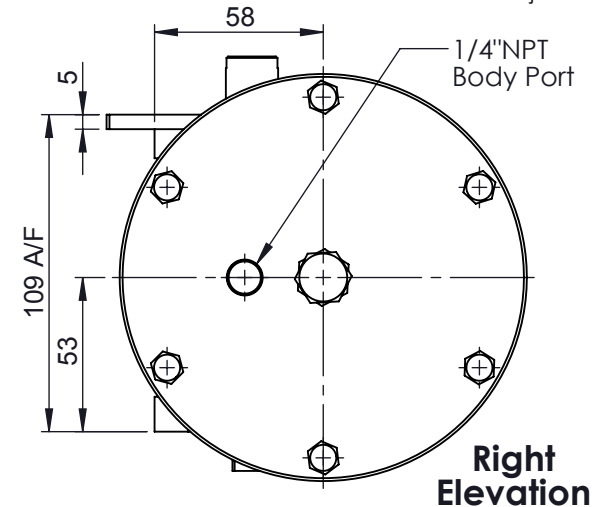
Side Elevation



End Stop Adjuster

4x4 Monitor Engagement Slot, Tapped M6 on Centre

End Stop Adjuster



Right Elevation

SR - Swept Volume (l) 0.56 litres

REV	DRAWN	DATE	CHK'D	ECO
	KY	22/1/14		14-2179
A				
B				
C				
D				
E				

Unless specified otherwise

Dimensions in : mm  
Surface Finish : 3.2  
Tolerances  
Linear : ± 0.25mm  
Angular : ± 0.5°

TITLE:

S/SX30 Actuator -Pneumatic  
DA/Cast Body - General  
Dimensions

DRG No:

SX30DA-DIM001

ACTIVE

STATUS

This private & confidential drawing is the property of Camtorc Actuators, UK and must not be copied or reproduced without the express written permission of the Company.



**CAMTORC Actuators**  
UK Tel : +44(0) 8700 340002  
www.camtorc.com

For reference and information only

MATERIAL: CS or 316SS

ESTIMATED WEIGHT (Kg): 18 Kg Approx.

SCALE :-

SHEET 1 OF 1

A4