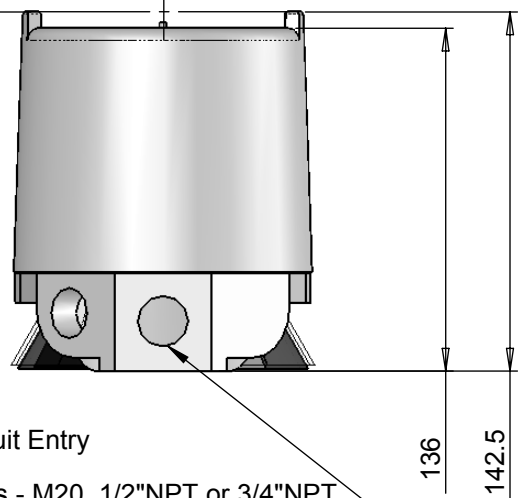
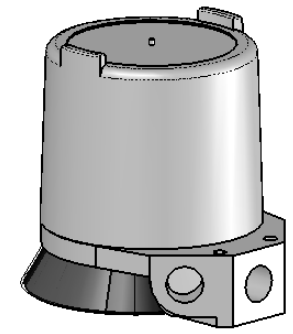


Max Removal Clearance
Required - 90mm



2 or 3 x Conduit Entry
Size Options:
Central Entries - M20, 1/2"NPT or 3/4"NPT
Offset Entries - M20 or 1/2"NPT



REV	DRAWN	DATE	CHK'D	ECO
	PT	25.10.12		12-1945
A		15.1.15		15-1945

UNLESS OTHERWISE SPECIFIED:
DIMENSIONS ARE IN MILLIMETERS
SURFACE FINISH: 3.2 microns
TOLERANCES:
LINEAR: ±0.25mm
ANGULAR: ±0.5°

TITLE:
IQ Monitor - General Dimensions

This private & confidential drawing is the property of Imtex Controls Limited, UK and cannot be copied or reproduced without the express written permission of the Company.

Imtex Controls Limited
Deeside, Flintshire
United Kingdom. Tel:+44(0)870-0340002
Website: www.imtex-controls.com

DEBUR AND
BREAK SHARP
EDGES
MATERIAL: **316SS**
WEIGHT(g): 3.1 kg

DWG NO. **IQ-DIM002**
SCALE:1:3
SHEET 1 OF 1

REV
A
STATUS
A4