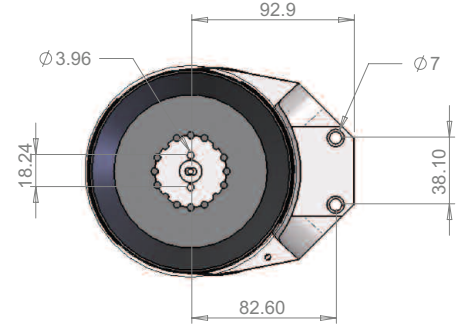
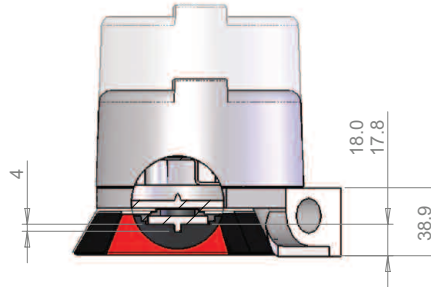
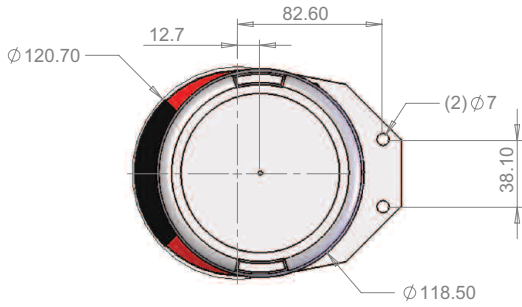


2 or 3 x Conduit Entry
 Size Options:
 Central Entries - M20, 1/2"NPT or 3/4"NPT
 Offset Entries - M20 or 1/2"NPT



Imtex Controls Limited is constantly improving the specifications, design and production of its products and alterations take place continually. Whilst every effort is made to produce up to date literature this leaflet should not be regarded as an inflexible guide to current specifications. E & OE.

Stainless Steel | IP.67 | Valve Position Monitor

www.imtex-controls.com/dq

Model Number Compilation (Drawing No. A190266)

Type	Electrical Function	Material of Construction	Conduit Size	Output Drive	Visual Indicator	Feature
DQ	25	S	5	S	R	000

Code	Electrical Function
25	(1 or 2) SPDT Reed Proximity Switches
58	(3 or 4) SPDT Reed Proximity Switches
Material of Construction (Enclosure)	
S	CF8M (316) Stainless Steel
Conduit Size	
5	(2) M20 x 1.5
6	(3) M20 x 1.5
8	(2) NPT – 1 x 3/4" / 1 x 1/2"
9	(3) NPT – 1 x 3/4" / 2 x 1/2"
B	(2) NPT – 2 x 1/2"
C	(3) NPT – 3 x 1/2"
Output Drive	
N	Namur Coupler
S	2-pin Coupler

Code	Visual Indicator*
R	Red (Closed) / Green (Open)
B	Blue (Closed) / White (Open)
E	Red (Closed) / Yellow (Open)
W	Red (Closed) / White (Open)
Y	Navy Blue (Closed) / Yellow (Open)
C	0 to 100% Graduated
0	No Visual Indicator
*Engineered Resin material	
Feature	
'xxx'	See Note 1

NOTES

- The exact detail of electrical function fitted or any other special feature is not fully specified by the basic model code, therefore, the Feature Designator provides a mechanism for cross referencing to a centralised engineering log which identifies the detailed specification of the parts fitted in the given unit.
- Please refer to our Product Overview leaflet for full specification of the Electrical Functions provided or consult our Technical Sales.
- Function 25 normally uses a small cover unless a tall cover is designated by the 'Feature' suffix code. Function 58 uses a tall cover.



IMTEX Valve Communication
 Tel +44 (0)8700 340 002 / +44 (0)1732 850 360 Fax +44 (0)1732 852 133 Email sales@imtex-controls.com
Sales & Administration Tonbridge (Kent) UK **Engineering & Production** Deeside (Flintshire) UK
www.imtex-controls.com

IVC/01DQ/0414