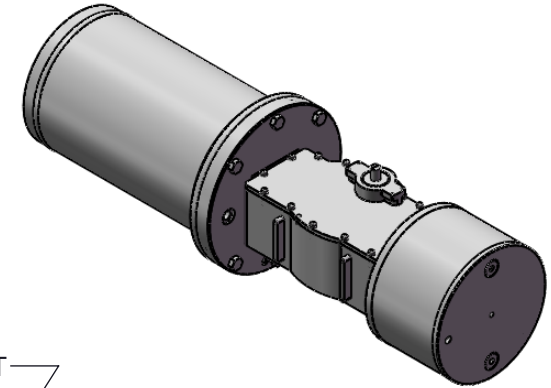
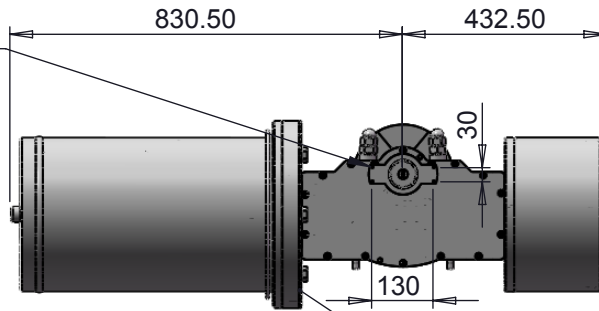
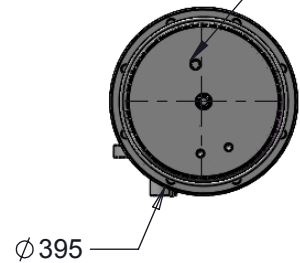


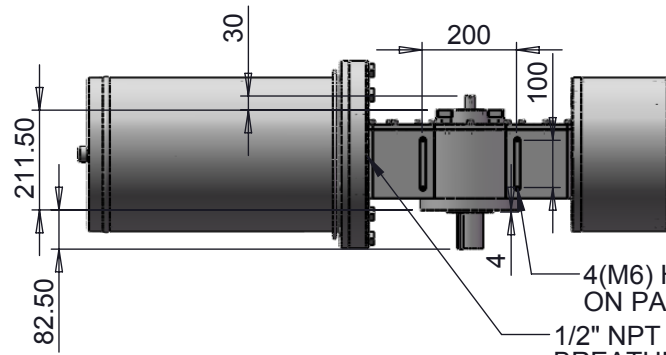
4(M5) HOLE  
ON PATTERN SHOWN



1/2" NPT  
BREATHER PORT\*

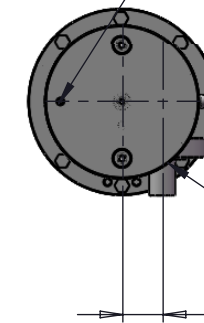


1/2" NPT  
SUPPLY PORT\*

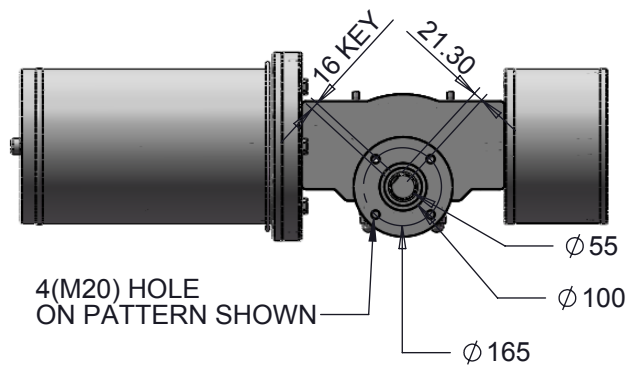


4(M6) HOLE  
ON PATTERN SHOWN  
1/2" NPT  
BREATHER PORT

1/2" NPT  
SUPPLY PORT



DIAMETER SUBJECT  
TO SELECTED AIR CYLINDER



4(M20) HOLE  
ON PATTERN SHOWN

NOTES:

\* - PORTS ONLY USED ON UNITS FITTED WITH  
SPRING PRESSURE PISTON

REV	DRAWN	DATE	CHK'D	ECO
	PT	24.5.13		13-2076
A	PT	12.4.17		17-2616

UNLESS OTHERWISE SPECIFIED:  
DIMENSIONS ARE IN MILLIMETERS  
SURFACE FINISH: 3.2  
TOLERANCES:  
LINEAR: ±0.25mm  
ANGULAR: ±0.5°

TITLE:  
**CS85 SR1 FO Dimensional  
Drawing**

This private & confidential drawing is the property  
of Camtorc Actuators, Tonbridge, UK and cannot  
be copied or reproduced without the express  
written permission of the Company.

**Camtorc Actuators**  
Tonbridge, United Kingdom.  
Tel: +44(0)870-0340002  
Website: [www.camtorc.com](http://www.camtorc.com)

DEBUR AND  
BREAK SHARP  
EDGES

MATERIAL:

WEIGHT: - Excl Valve

DWG NO.  
**CS85-SRxx1-DIM005**

SCALE: 1:16

SHEET 1 OF 1

ACTIVE  
A  
STATUS

A4