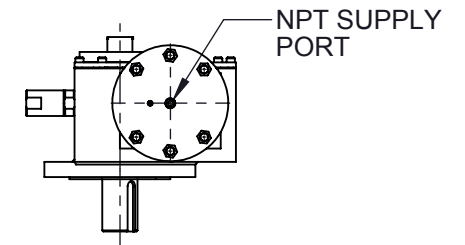
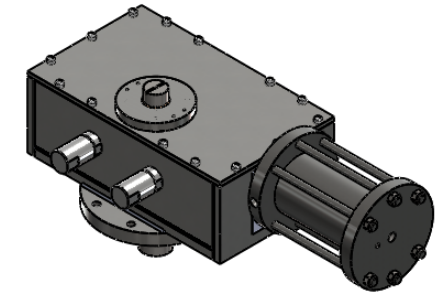
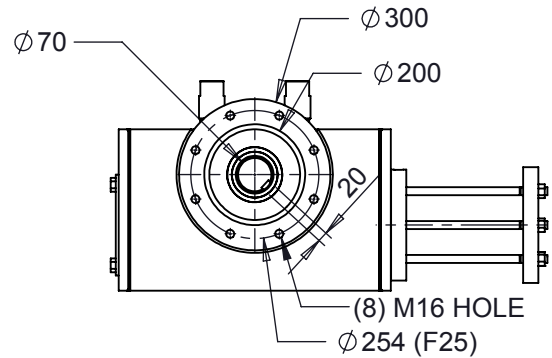
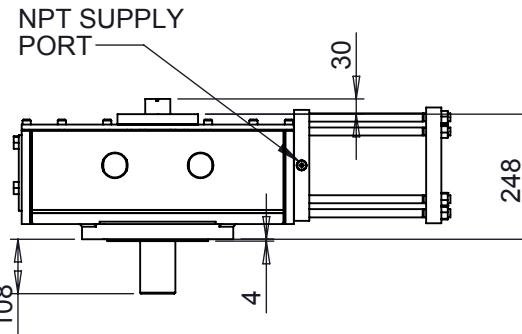
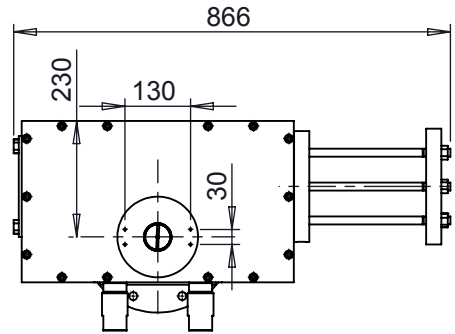
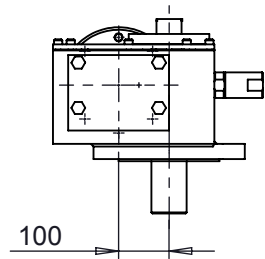


100



REV	DRAWN	DATE	CHK'D	ECO
	PT	21.10.14		14-2295

UNLESS OTHERWISE SPECIFIED:  
 DIMENSIONS ARE IN MILLIMETERS  
 SURFACE FINISH: 3.2  
 TOLERANCES:  
 LINEAR: ±0.25mm  
 ANGULAR: ±0.5°

TITLE:

CS100 Double Acting -  
 Hydraulic Actuator - General  
 Dimensions

This private & confidential drawing is the property of Camtorc Actuators, UK and cannot be copied or reproduced without the express written permission of the Company.

**Camtorc Actuators**  
 United Kingdom. Tel:+44(0)870-0340002  
 Website: [www.camtorc.com](http://www.camtorc.com)

DEBUR AND  
 BREAK SHARP  
 EDGES  
 MATERIAL: Carbon Steel  
 WEIGHT: 220kg - Excl Valve

DWG NO.

CS100-DA-DIM009

SCALE:1:15

SHEET 1 OF 1

ACTIVE  
 -  
 STATUS  
 -  
 A4