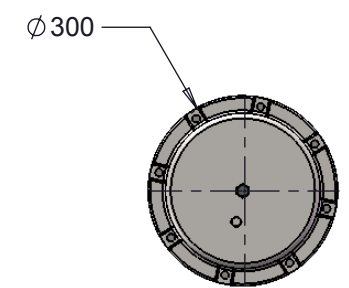
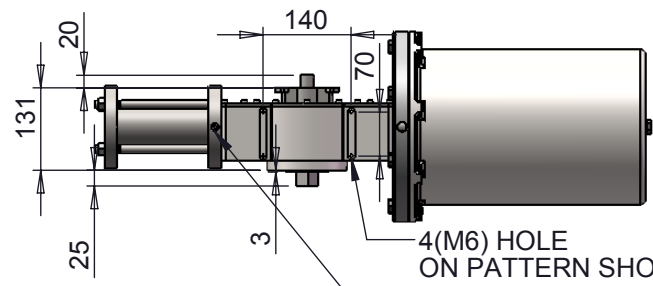
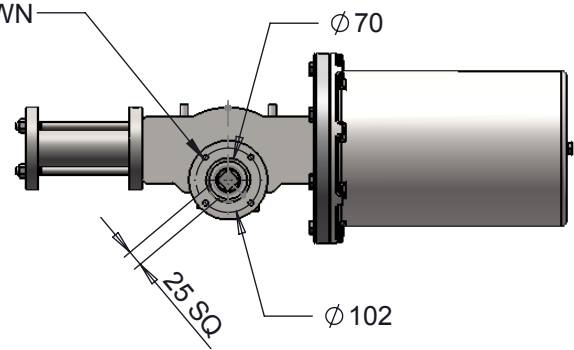


NPT HYDRAULIC SUPPLY PORT*



4(M10) HOLE ON PATTERN SHOWN



NOTES:

* - PORT SIZE DEPENDS ON THE HYDRAULIC MODULE SIZE

REV	DRAWN PT	DATE	CHK'D	ECO
		24.5.13		13-2076

UNLESS OTHERWISE SPECIFIED:
 DIMENSIONS ARE IN MILLIMETERS
 SURFACE FINISH: 3.2
 TOLERANCES:
 LINEAR: ±0.25mm
 ANGULAR: ±0.5°

TITLE:
CS/CX50 SR2 Dimensional Drawing

This private & confidential drawing is the property of Camtorc Actuators, UK and cannot be copied or reproduced without the express written permission of the Company.

Camtorc Actuators
 United Kingdom. Tel:+44(0)870-0340002
 Website: www.camtorc.com

DEBUR AND BREAK SHARP EDGES
 MATERIAL:
 WEIGHT: - Excl Valve

DWG NO.
CS-CX50-SRxx2-DIM003

SCALE:1:12

SHEET 1 OF 1

ACTIVE - STATUS
A4