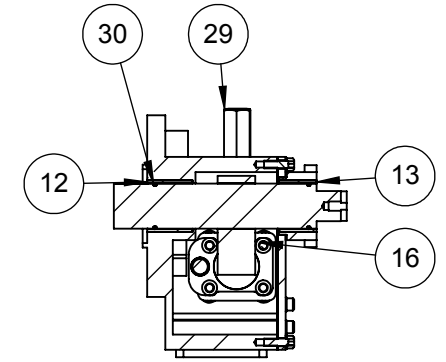
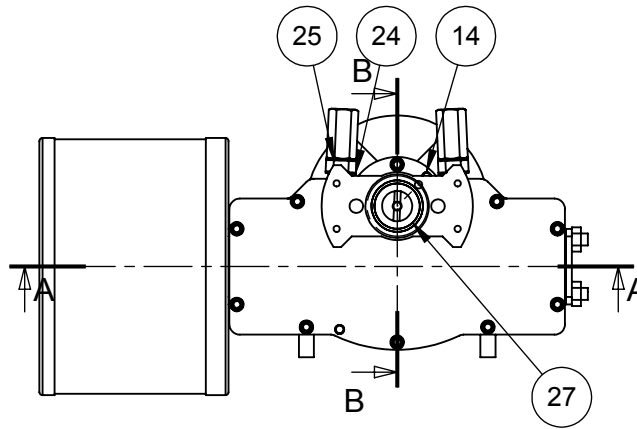
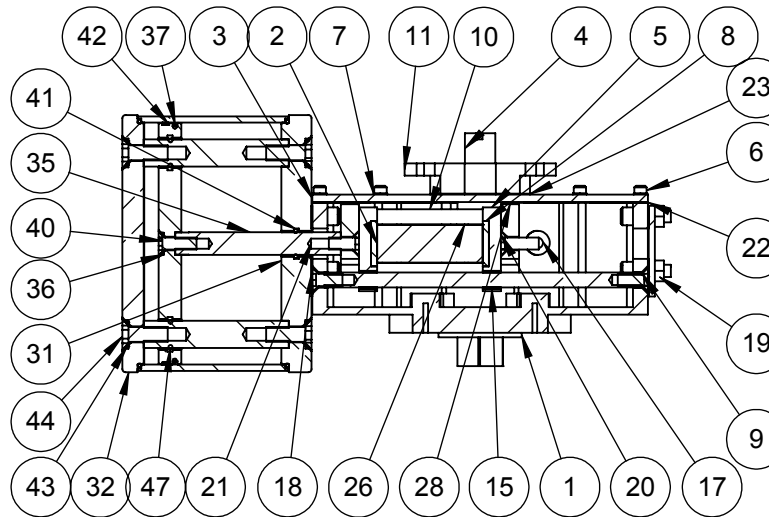


ITEM	DESCRIPTION	CS Version Material	CX Version Material	QTY.
1	Body	CS	StSt	1
2	Cam	CS	StSt	1
3	Cover Plate	CS	StSt	1
4	Shaft	316SS or 17-4PH	316SS or 17-4PH	1
5	Drive Button	CS	StSt	2
6	Skt Hd Screw	High Tensile Carbon Steel	A4	10
7	Flat Washer	Carbon Steel	A4	10
8	Wear Pad	UHMWPE	UHMWPE	2
9	Cam Guide	CS	StSt	1
10	Cam Spacer	CS	StSt	4
11	Top Plate	CS	StSt	1
12	Glacier Bush	Steel/PTFE	Bronze/PTFE	1
13	Glacier Bush	Steel/PTFE	Bronze/PTFE	1
14	Dowel Pin	High Tensile Steel	316SS	2
15	Glacier Bush	Steel/PTFE	Bronze/PTFE	2
16	CSK Screw	High Tensile Carbon Steel	A4	8
17	Set Screw	High Tensile Carbon Steel	A4	2
18	CSK Screw	High Tensile Carbon Steel	A4	3
19	Cap Screw	High Tensile Carbon Steel	A4	8
20	CSK Screw	High Tensile Carbon Steel	A4	1
21	Cylinder Gasket	Klingsil	Klingsil	2
22	Cover Gasket	Klingsil	Klingsil	1
23	Top Plate Gasket	Klingsil	Klingsil	1
24	Dowty Washer	CS / Nitrile	StSt / Nitrile	4
25	Nut	High Tensile Carbon Steel	A4	2
26	Parallel Key	Key Steel	Key Steel	1
27	Set Screw	High Tensile Carbon Steel	A4	1
28	Connection Plate	CS	StSt	2
29	End Stop Nut	CS	StSt	2
30	O-Ring	Nitrile / EPDM / Viton	EPDM / Viton	2
31	Intermediate Cap	CS	StSt	1
32	End Cap	CS	StSt	1
33	Cylinder	CS	StSt	1
34	Tyrod	EN8 Steel	17-4PH	2
35	Stem	CS	StSt	1
36	Air Piston	CS	StSt	1
37	Air Piston O-Ring	Nitrile/EPDM/Viton	EPDM/Viton	1
38	Cap O-Ring	Nitrile/EPDM/Viton	EPDM/Viton	2
39	Stem Screw O-Ring	Nitrile/EPDM/Viton	EPDM/Viton	1
40	Stem Screw	High Tensile Carbon Steel	A4	1
41	Intermediate O-Ring	Nitrile/EPDM/Viton	EPDM/Viton	1
42	Bearing Strip	PTFE	PTFE	1
43	Tyrod O-Ring	Nitrile/EPDM/Viton	EPDM/Viton	4
44	Tyrod Screw	High Tensile Carbon Steel	A4	4
45	Blanking Plate	CS	StSt	1
46	Blanking Plate Nut	High Tensile Carbon Steel	A4	4
47	Air Piston-Tyrod O-Ring	Nitrile/EPDM/Viton	EPDM/Viton	2



SECTION B-B



SECTION A-A

REV	DRAWN	DATE	CHK'D	ECO	UNLESS OTHERWISE SPECIFIED: DIMENSIONS ARE IN MILLIMETERS SURFACE FINISH: 3.2 TOLERANCES: LINEAR: ±0.25mm ANGULAR: ±0.5°	TITLE: CS-CX Assembly - DA - Single Cylinder		
	PT	23.5.13		13-2076				
Camtorc Actuators United Kingdom. Tel:+44(0)870-0340002 Website: www.camtorc.com					DEBUR AND BREAK SHARP EDGES	DWG NO. CS-CX-BOM007	ACTIVE - STATUS R	
					MATERIAL:			
					WEIGHT: - Excl Valve	SCALE:1:5	SHEET 1 OF 1	A4