

## Instructions

Type SRX Valve Position Monitors are designed to provide high accuracy feedback of valve position to plant control systems. These instructions outline the requirements for ensuring a long and trouble free service life from the monitors.

### Installation - Mounting

Attach mounting plate (1) to the actuator using fasteners (2) and lockwashers (2a) provided with mounting kit (if supplied by Imtex).

Loosen indicator cover set screw (3) and rotate indicator cover (4) to desired viewing angle. Retighten set screw (3).

Fit monitor assembly to actuator ensuring that the NAMUR shaft (7) engages the shaft of the actuator (9). If a torque coupler (7a) is used instead of the NAMUR shaft on Non-NAMUR actuators, ensure this is securely fitted to the underside of the monitor using the screw, flatwasher and lockwasher supplied (7b/7c/7d) before fitting over the flats on the actuator shaft (9). Secure the assembly using the screws (10) and lockwashers (11) provided with the mounting kit.

Fine tune the indicator cover (4) by loosening set screw (3). Retighten set screw when completed.

Operate the actuator to ensure proper alignment between monitor and actuator. Eccentricity of the shaft must not exceed 0.25mm. If it should be necessary, re-align monitor by loosening mount screws (10). Retighten screws when satisfied with alignment.

### Installation - Wiring & Switch Setting

Once the monitor is fitted to the actuator, remove cover (12) by loosening and removing the cover lock screws (13).

Bring field wiring into the enclosure via the conduit entries (14) fitted with a suitable cable gland. Use blanking plugs to block off any un-used cable entries. NOTE: Suitable IP6x rated cable glands, blanking plugs and thread adaptors must be used to maintain monitor IP rating.

Connect field wiring to the terminals (15) within the enclosure according to the wiring diagram and terminal labelling.

For monitors fitted with standard cam/spline activated switches/sensors, drive the actuator to the first required indication position and set the bottom switch by lifting and rotating the bottom cam (16). Secure the cam by allowing it to fully re-engage with the spline (17).

Repeat the process for each switch in-turn by lifting/pushing down the appropriate cam, rotating and re-engaging as desired position is reached.

For monitors with barrel or slotted sensors, or with a transmitter, consult page 2 of these instructions for 'Further Setting Instructions'.


Once completed, verify that indication is as required by fully stroking the actuator. Then refit cover (12) and secure using the cover lock screws (13). NOTE: The shaft inside the monitor is a 'split' design at the point indicated (5). The top portion which drives the indicator MUST properly engage the bottom portion before re-tightening the screws (13). When fitting the cover, gently 'rotate' it until the shafts engage and the cover drops into place. DO NOT APPLY EXCESSIVE FORCE.

### SPECIAL CONDITIONS FOR CERTIFIED ENCLOSURES - ATEX/IECEX

Installation should be carried out by suitably trained personnel to an applicable Code of Practice (eg IEC/EN60079-14).

Each connected circuit MUST be wired to a compatible, certified Intrinsically Safe Barrier

Only suitably IP rated cable glands, thread adaptors and blanking plugs are permitted for use with enclosure.

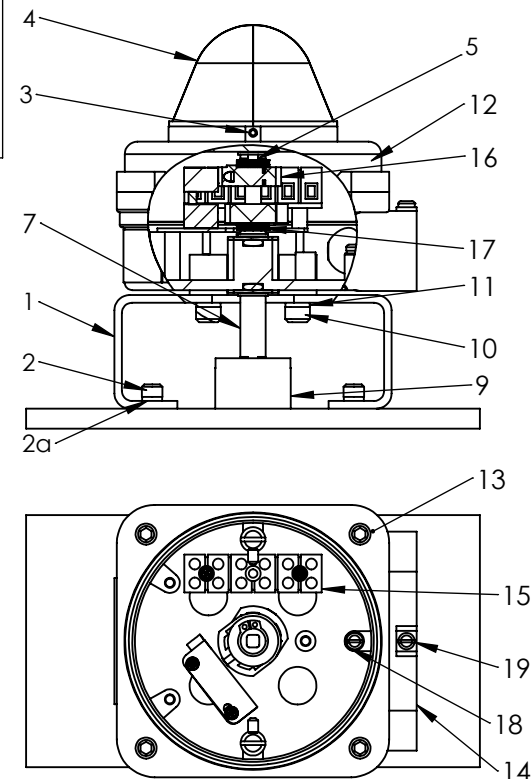
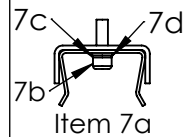
 WARNING - Monitor includes external plastic parts and presents Electrostatic Hazard: Clean Only with a Damp Cloth.

WARNING - Do not install on an external source of heating or cooling e.g. by hot/cold air blowing temperature units

### Maintenance

The Type SRX requires no servicing during normal working life, if installed correctly. However, it is advisable to check mounting screws/bolts, o-rings and terminal wiring for signs of loosening or corrosion as part of the routine plant maintenance to ensure continued operation. Ensure safety warnings are observed during maintenance. Inspection & maintenance to ATEX/IECEX enclosures to be carried out by suitably trained personnel with applicable code of practice (eg IEC/EN60079-17). Repairs to Type SRX ATEX/IECEX enclosures are not normally permitted. Please consult factory.

## Reference Diagram



REV	DRAWN	DATE	CHK'D	ECO
	PT	14.8.14		14-2270

Intex Controls Limited  
Deeside - United Kingdom

Website: [www.imtex-controls.com](http://www.imtex-controls.com)

TITLE:

Installation, Operating & Maintenance

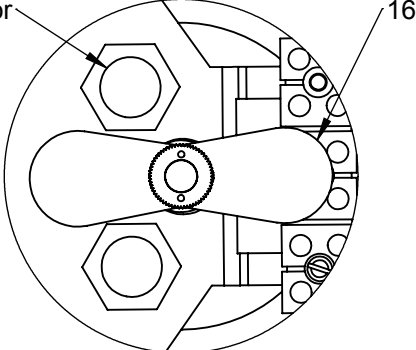
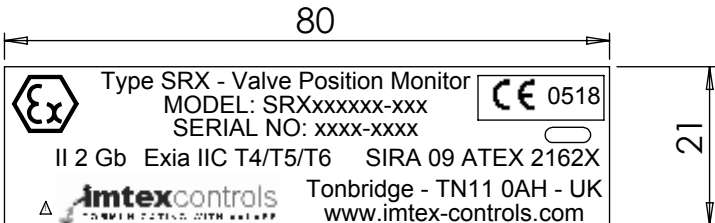
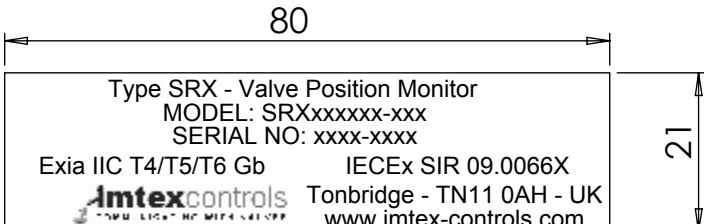
SRX - Exi - ATEX/IECEX

DWG NO.

A190318

REV  
-  
STATUS  
R

SHEET 1 OF 5

Further Setting Instructions	Certification	Cable Entries																										
<p><b>Barrel/Slot Sensor Setting</b></p> <p>Drive the actuator to the first required indication position and set the first switch by pushing round the lower metal shim on the shaft (16) to cover the sensor.</p> <p>Repeat the process for each sensor in-turn by driving the actuator to the indication position and adjusting the appropriate shim to cover the corresponding sensor.</p>  <p><b>Transmitter Setting</b></p> <p>NOTE: The Type SRX Transmitter is factory set to provide position information over a 90 Degree span. Specific information on the method for setting the zero and span for the transmitter option supplied is detailed on the attached Set Up Sheet.</p> <p>Drive the actuator to the position intended to indicate the 'low' signal. Set the zero point for the transmitter either locally (when available) or using suitable configuration software. Drive the actuator to the position intended to indicate the 'high' signal. Set the span point either locally (where applicable) or using suitable configuration software.</p> <p>To set the switches/sensors, if supplied, refer to page one of these instructions.</p>	<p><b>Classification:</b></p> <p>Exia IIC T4/T5/T6 Gb</p>	<p>The number and type of cable entry on the Monitor can be determined by reference to the 7th digit of the monitor part number. For example, in part number -</p> <p>SRX16S5SR-ZOO</p> <p>the seven digit is a '5' which corresponds to the monitor having 2 off M20 x 1.5 cable entry. Refer to table below for details.</p> <table border="1" data-bbox="1482 252 1895 459"> <thead> <tr> <th colspan="2">CABLE ENTRY GUIDE</th> </tr> <tr> <th>DIGIT</th> <th>ENTRIES SUPPLIED</th> </tr> </thead> <tbody> <tr> <td>5</td> <td>(2) M20 x 1.5</td> </tr> <tr> <td>B</td> <td>(2) 1/2" NPT</td> </tr> <tr> <td> </td> <td> </td> </tr> <tr> <td> </td> <td> </td> </tr> <tr> <td> </td> <td> </td> </tr> </tbody> </table> <p>NPT Threads conform to ANSI/ASME B1.20.1 and shall be made up wrench tight</p> <p>Metric Thread tolerance to ISO 965-1 and ISO 965-3</p>		CABLE ENTRY GUIDE		DIGIT	ENTRIES SUPPLIED	5	(2) M20 x 1.5	B	(2) 1/2" NPT																	
CABLE ENTRY GUIDE																												
DIGIT	ENTRIES SUPPLIED																											
5	(2) M20 x 1.5																											
B	(2) 1/2" NPT																											
	<b>Referenced Standards</b>	<b>Product Markings</b>																										
	<p>The following standards have been referred to in these instructions and are applicable to the use of this product when used in an environment where an explosive atmosphere may be present:</p> <p>IEC 60079-0:2011 6th Ed IEC60079-11:2011 6th Ed IEC 60079-31:2008 1st Ed EN60079-0:2012 EN60079-11:2012 EN60079-31:2009</p>	<p>The label on the monitor should be one of the two shown below:</p> <div style="display: flex; flex-direction: column; align-items: center;"> <div style="display: flex; align-items: center; margin-bottom: 10px;"> <div style="margin-right: 10px;">ATEX</div> <div style="text-align: center;">  </div> </div> <div style="display: flex; align-items: center;"> <div style="margin-right: 10px;">IECEX</div> <div style="text-align: center;">  </div> </div> </div> <p>NOTE: The year of manufacture of the monitor can be obtained from the last 2 digits of the serial number</p>																										
	<table border="1" style="width: 100%; border-collapse: collapse;"> <thead> <tr> <th>REV</th> <th>DRAWN</th> <th>DATE</th> <th>CHK'D</th> <th>ECO</th> </tr> </thead> <tbody> <tr> <td> </td> <td>PT</td> <td>14.8.14</td> <td> </td> <td>14-2270</td> </tr> <tr> <td> </td> <td> </td> <td> </td> <td> </td> <td> </td> </tr> <tr> <td> </td> <td> </td> <td> </td> <td> </td> <td> </td> </tr> <tr> <td> </td> <td> </td> <td> </td> <td> </td> <td> </td> </tr> </tbody> </table>	REV	DRAWN	DATE	CHK'D	ECO		PT	14.8.14		14-2270																<p>TITLE:</p> <p>Installation, Operating &amp; Maintenance</p> <p>SRX - Exi ATEX/IECEX</p>	
REV	DRAWN	DATE	CHK'D	ECO																								
	PT	14.8.14		14-2270																								
<p>This private &amp; confidential drawing is the property of Imtex Controls Limited, Tonbridge, UK and cannot be copied or reproduced without the express written permission of the Company.</p>	<p><b>Imtex Controls Limited</b> Deeside - United Kingdom</p> <p>Website: <a href="http://www.imtex-controls.com">www.imtex-controls.com</a></p>	<table border="1" style="width: 100%; border-collapse: collapse;"> <tr> <td style="width: 60%;">DWG NO.</td> <td style="text-align: center; font-size: 24pt;"><b>A190318</b></td> <td style="width: 10%; text-align: center;">REV -</td> </tr> <tr> <td> </td> <td> </td> <td style="text-align: center;">STATUS R</td> </tr> </table> <p style="text-align: right; font-size: 8pt;">SHEET 2 OF 5</p>		DWG NO.	<b>A190318</b>	REV -			STATUS R																			
DWG NO.	<b>A190318</b>	REV -																										
		STATUS R																										

# ELECTRICAL CHARACTERISTICS ('X' Indicates the applicable Rating(s))

SRX17 & 56 - Mechanical w/ Gold Contacts

Electrical Ratings: 1.0A @ 125VAC  
0.5A @ 30 VDC  
Temp Range: -40 to +60 °C  
Operating Life: 100,000 Cycles

Recommended for use in 24VDC computer input circuits

SRX25 & 59 (-xSW) - SPDT Reed Switch

Electrical Ratings: 1.0A Max (Current)  
120V Max (Voltage)  
10W/VA Max (Power)  
Temp. Range: -40 to +60 °C  
Operating Life: 5,000,000 Cycles

SRX40 & 59 (-xSW) - SPST Reed Switch

Electrical Ratings: 1.0A Max (Current)  
120V Max (Voltage)  
10W/VA Max (Power)  
Temp. Range: -40 to +60 °C  
Operating Life: 5,000,000 Cycles

SRX42 & 52 - NAMUR Proximity Sensor

Current Ratings: Target Present - Current < 1.0mA  
Target Absent - Current > 3.0mA  
Voltage Range: 5 to 25VDC (nominal 8VDC)  
Temp. Range: -25 to +60 °C  
Operating Life: Unlimited Cycles

Use with intrinsically safe repeater barrier. Namur sensors fully conform to EN60947-5-6 (VDE0660 Part 212) standard.

SRX43 & 53 - NAMUR Proximity Sensor

Current Ratings: Target Present - Current < 1.0mA  
Target Absent - Current > 3.0mA  
Voltage Range: 5 to 25VDC (nominal 8VDC)  
Temp. Range: -40 to +60 °C  
Operating Life: Unlimited Cycles

Use with intrinsically safe repeater barrier. Namur sensors fully conform to EN60947-5-6 (VDE0660 Part 212) standard.

SRX70 - Analogue Transmitter - Non-Contact Style

Supply Voltage: 12 to 24VDC  
Load Impedance: R < (U - 9) / 0.02  
Linearity: < 1% of FS  
Repeatability: < 0.36°  
Op Temp Range: -40 to +60 Deg C

SRX70 - Analogue/Digital Transmitter - Programmable

Supply Voltage: 8 to 30VDC  
Internal Consumption: 25mW to 0.8W  
Voltage Drop: 8VDC  
Warm Up Time: 5 min  
Comms Link: Loop  
Signal / Noise Ratio: min 60 dB  
Min Response Time: 0.33 s  
Calibration Temp: +20 to +28 Deg C  
Op Temp Range: -40 to +60 Deg C

Other Details (see Individual Specification Sheet)

REV	DRAWN	DATE	CHK'D	ECO
	PT	14.8.14		14-2270

TITLE:

Installation, Operating & Maintenance  
SRX - Exi - ATEX/IECEx

This private & confidential drawing is the property of Imtex Controls Limited, Tonbridge, UK and cannot be copied or reproduced without the express written permission of the Company.

**Imtex Controls Limited**  
Deeside - United Kingdom

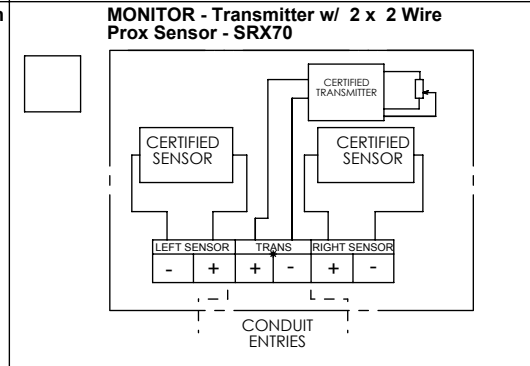
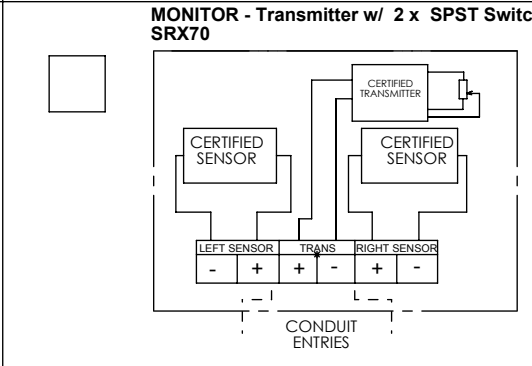
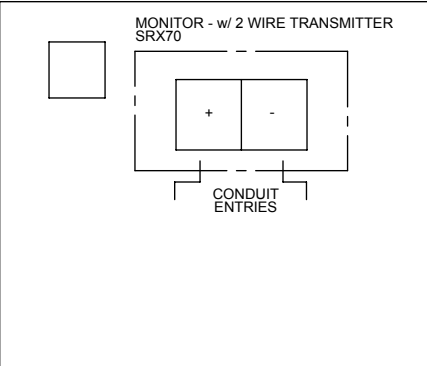
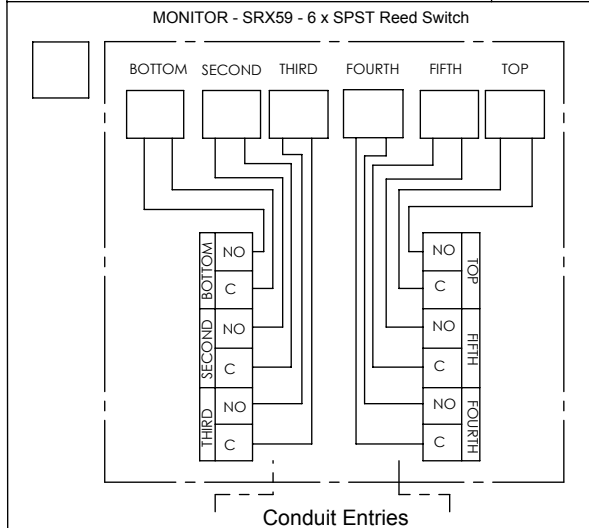
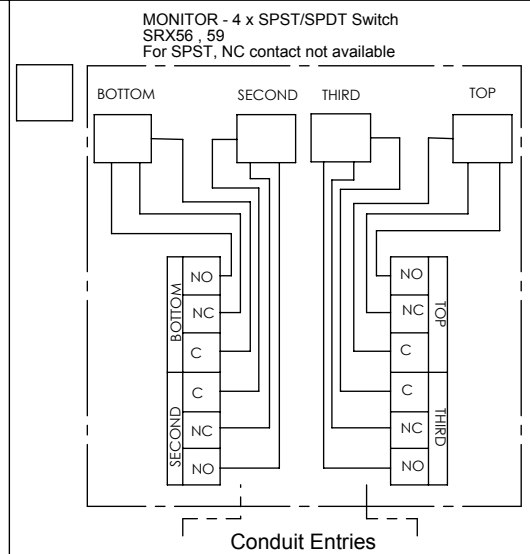
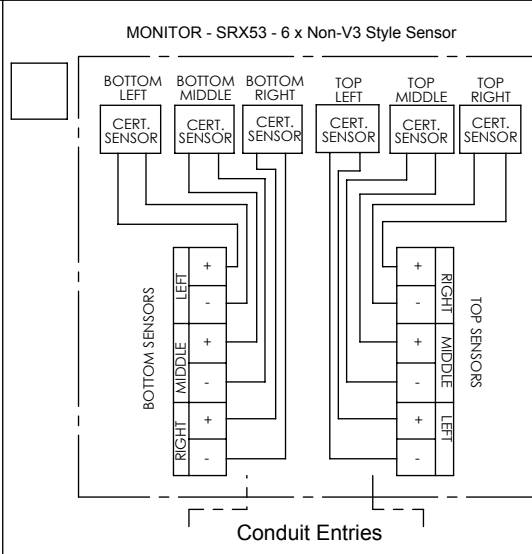
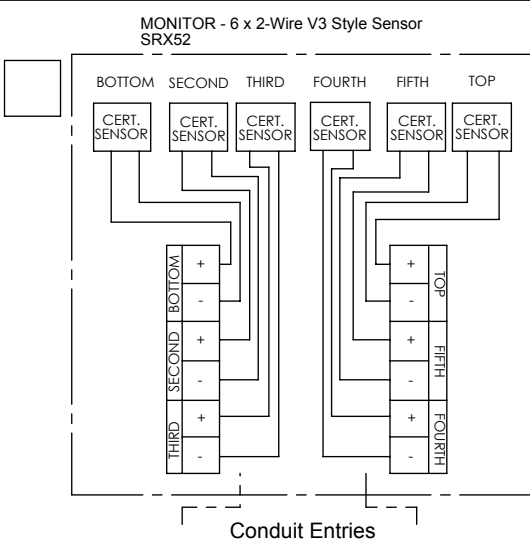
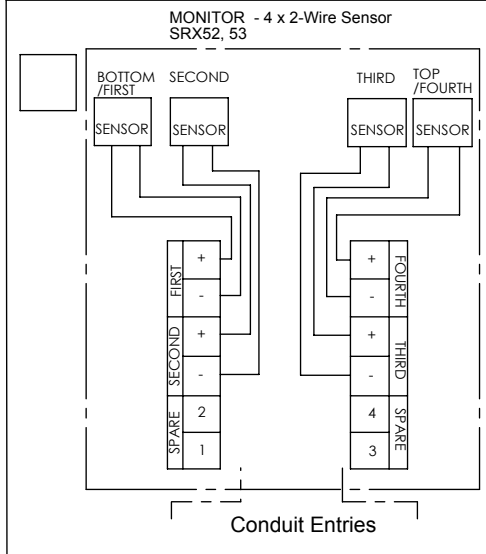
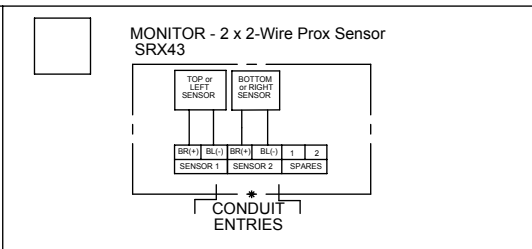
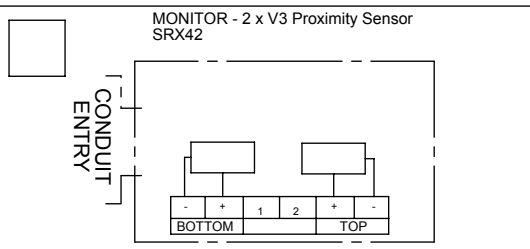
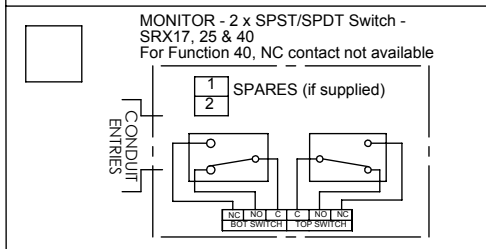
Website: [www.imtex-controls.com](http://www.imtex-controls.com)

DWG NO.

A190318

REV
-
STATUS
R

# WIRING DIAGRAMS ('X' Indicates the applicable diagram)



REV	DRAWN	DATE	CHK'D	ECO
	PT	14.8.14		14-2270

TITLE:  
**Installation, Operation and Maintenance  
SRX - Exi - ATEX/IECEx**

This private & confidential drawing is the property of Imtex Controls Limited, Tonbridge, UK and cannot be copied or reproduced without the express written permission of the Company.

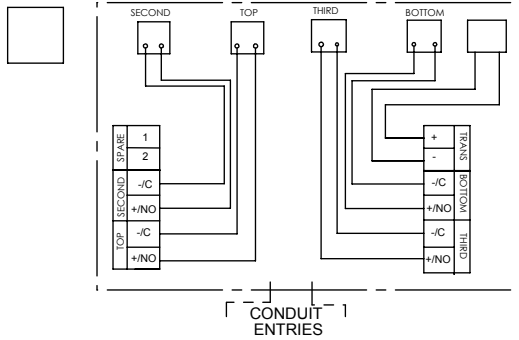
**Imtex Controls Limited**  
Deeside - United Kingdom  
  
Website: [www.imtex-controls.com](http://www.imtex-controls.com)

DWG NO. **A190318**

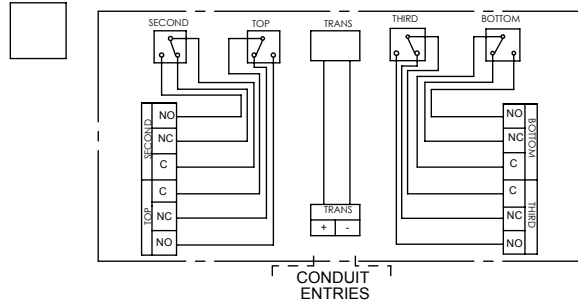
	REV - STATUS
	R
SHEET 4 OF 5	A4

# WIRING DIAGRAMS ('X' Indicates the applicable diagram)

MONITOR - 4 x V3 Prox (2-Wire) or SPST Switch & Transmitter SRX70



MONITOR - 4 x SPDT & Transmitter SRX70



## SPECIAL NOTES:

**Installation of Reed Switches:** Where low power reed (Rhodium) switches are installed at the end of long cable runs, it is the responsibility of the installer to ensure suitable precautions are taken to ensure cable capacitance does not induce premature switch failure. Consult Imtex for further information

REV	DRAWN	DATE	CHK'D	ECO
	PT	14.8.14		14-2270

TITLE:

Installation, Operation and Maintenance  
SRX - Exi - ATEX/IECEX

This private & confidential drawing is the property of Imtex Controls Limited, Tonbridge, UK and cannot be copied or reproduced without the express written permission of the Company.

**Imtex Controls Limited**  
Deeside - United Kingdom

Website: [www.imtex-controls.com](http://www.imtex-controls.com)

DWG NO.

# A190318

REV	-
STATUS	R