

Instructions

Type SRA Valve Position Monitors are designed to provide high accuracy feedback of valve position to plant control systems. These instructions outline the requirements for ensuring a long and trouble free service life from the monitors.

Installation - Mounting

Attach mounting plate (1) to the actuator using fasteners (2) and lockwashers (2a) provided with mounting kit (if supplied by Imtex).

Loosen indicator cover set screw (3) and rotate indicator cover (4) to desired viewing angle. Retighten set screw (3).

Fit monitor assembly to actuator ensuring that the NAMUR shaft (7) engages the shaft of the actuator (9). If a torque coupler (7a) is used instead of the NAMUR shaft on Non-NAMUR actuators, ensure this is securely fitted to the underside of the monitor using the screw, flatwasher and lockwasher supplied (7b/7c/7d) before fitting over the flats on the actuator shaft (9). Secure the assembly using the screws (10) and lockwashers (11) provided with the mounting kit.

Fine tune the indicator cover (4) by loosening set screw (3). Retighten set screw when completed.

Operate the actuator to ensure proper alignment between monitor and actuator. Eccentricity of the shaft must not exceed 0.25mm. If it should be necessary, re-align monitor by loosening mount screws (10). Retighten screws when satisfied with alignment.

Installation - Wiring & Switch Setting

Once the monitor is fitted to the actuator, remove cover (12) by loosening and removing the 6-off cover lock screws (13).

Bring field wiring into the enclosure via the conduit entries (14) fitted with a suitable cable gland. Use blanking plugs to block off any un-used cable entries. NOTE: Suitable IP6x rated cable glands, blanking plugs and thread adaptors must be used to maintain monitor IP rating. On flameproof enclosures, only ATEX/IECEX certified Exd cable gland, blanking plugs and thread adaptors can be used. Blanking plugs must not be used with a gland adaptor.

Connect field wiring to the terminals (15) within the enclosure according to the wiring diagram and terminal labelling. Connect earth conductor (which forms part of the supply cable and MUST be at least equal to the size of the phase conductors) to the internal earth point (18). Connect the external earth/equipotential bonding conductor to the monitor using the external earth clamp assembly (19). Conductor should be 4mm² (min)

For monitors fitted with standard cam/spline activated switches/sensors, drive the actuator to the first required indication position and set the bottom switch by lifting and rotating the bottom cam (16). Secure the cam by allowing it to fully re-engage with the spline (17).

Repeat the process for each switch in-turn by lifting/pushing down the appropriate cam, rotating and re-engaging as desired position is reached.

For monitors with barrel or slotted sensors, or with a transmitter, consult page 2 of these instructions for 'Further Setting Instructions'.

Once completed, verify that indication is as required by fully stroking the actuator. Then refit cover (12) and secure using the 6-off cover lock screws (13). NOTE: The shaft inside the monitor is a 'split' design at the point indicated (5). The top portion which drives the indicator MUST properly engage the bottom portion before re-tightening the screws (13). When fitting the cover, gently 'rotate' it until the shafts engage and the cover drops into place. DO NOT APPLY EXCESSIVE FORCE.

SPECIAL CONDITIONS FOR FLAMEPROOF ENCLOSURES - ATEX / IECEX

Installation should be carried out by suitably trained personnel to an applicable Code of Practice (eg IEC/EN60079-14 & IEC/EN61241-14).

Only suitably IP and Exd certified and temperature rated cable glands, thread adaptors and blanking plugs are permitted for use with ATEX/IECEX flameproof enclosures.

WARNING - For units operating at +85°C, cable, cable glands or conductors in conduit shall be rated +100°C (minimum).

WARNING - Monitor includes external plastic parts and presents Electrostatic Hazard: Clean Only with a Damp Cloth.

WARNING - Do not install on an external source of heating or cooling e.g. by hot/cold air blowing temperature units

WARNING - Locate monitor to prevent propagating brush discharges

WARNING - Monitor should not be opened when energised or an explosive atmosphere may be present. The cover screws (13) must be loosened before opening and re-tightened before the monitor re-enters service.

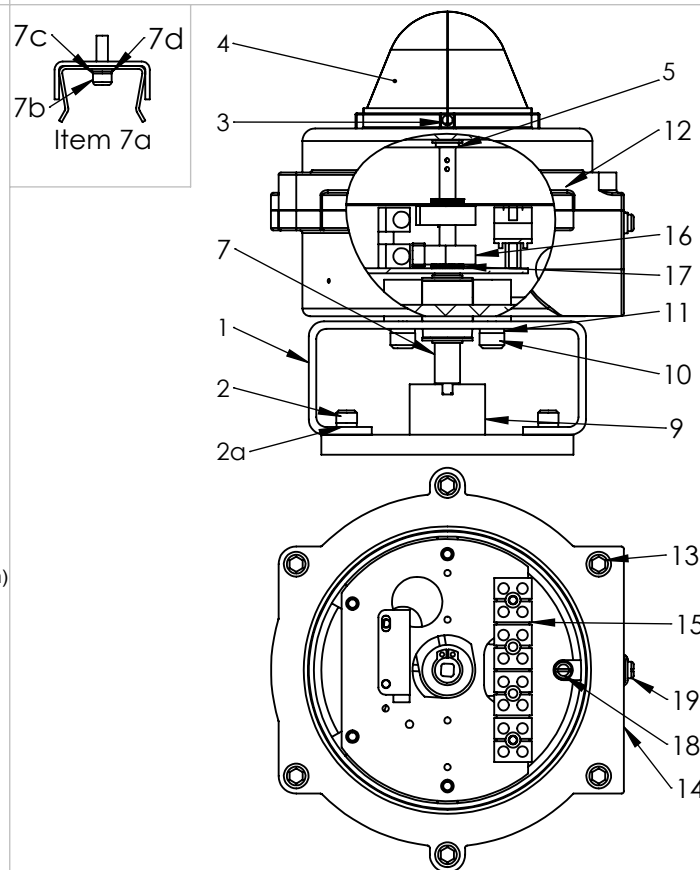
The maximum constructional gap (i_c) is less than that required by Table 1 of IEC 60079-1:2007 clause 5.2.2 as detailed below:

Flamepath - Through Shafts and Main Body Flange
Max Gap (mm) - 0.04
Comment - Cylindrical Spigot Joint

Maintenance

The Type SRA requires no servicing during normal working life, if installed correctly. However, it is advisable to check mounting screws/bolts, o-rings and terminal wiring for signs of loosening or corrosion as part of the routine plant maintenance to ensure continued operation. Ensure safety warnings are observed during maintenance. Inspection & maintenance to ATEX/IECEX flameproof enclosures to be carried out by suitably trained personnel with applicable code of practice (eg IEC/EN60079-17). Repairs to Type SRX ATEX/IECEX flameproof enclosures are not permitted. Please consult factory.

Reference Diagram



Additional Instructions for Safe Use

The certification for this monitor relies upon the following materials used in its construction:

- Aluminium LM20
- EDPM 70

If the equipment is likely to come into contact with aggressive substances, then it is the responsibility of the user to take suitable precautions that prevent it from being adversely affected, thus ensuring that the type of protection provided by the equipment is not compromised. Aggressive substances might be: acidic liquids or gases that attack Stainless Steel, or direct and prolonged contact with some Hydrocarbons that could affect the seals. Regular checks/inspections should be carried out if aggressive substances are present.

REV	DRAWN	DATE	CHK'D	ECO
	PT	2.1.13		12-1973

Intex Controls Limited
Unit 5A, Valley Industries, Hadlow Road
Tonbridge, Kent, TN11 0AH, United Kingdom
Tel: +44(0)1732-850360 Fax: +44(0)1732-852133
[Website: www.intex-controls.com](http://www.intex-controls.com)

UNLESS OTHERWISE SPECIFIED:
DIMENSIONS ARE IN MILLIMETERS
SURFACE FINISH:
TOLERANCES:
LINEAR:
ANGULAR:

TITLE:
Installation, Operating & Maintenance
SRA - IECEX/ATEX

DEBUR AND
BREAK SHARP
EDGES

MATERIAL:
WEIGHT(g):

DWG NO.

A190291

A4

SCALE:1:5

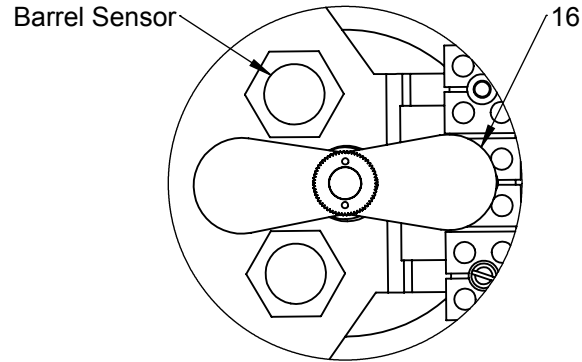
SHEET 1 OF 3

Further Setting Instructions

Barrel/Slot Sensor Setting

Drive the actuator to the first required indication position and set the first switch by pushing round the lower metal shim on the shaft (16) to cover the sensor.

Repeat the process for each sensor in-turn by driving the actuator to the indication position and adjusting the appropriate shim to cover the corresponding sensor.



Transmitter Setting

NOTE: The Type SRA Transmitter is factory set to provide position information over a 90 Degree span. Specific information on the method for setting the zero and span for the transmitter option supplied is detailed on the attached Set Up Sheet.

Drive the actuator to the position intended to indicate the 'low' signal. Set the zero point for the transmitter either locally (when available) or using suitable configuration software. Drive the actuator to the position intended to indicate the 'high' signal. Set the span point either locally (where applicable) or using suitable configuration software.

To set the switches/sensors, ifsupplied, refer to page one of these instructions.

Cable Entries

The number and type of cable entry on the Monitor can be determined by reference to the 7th digit of the monitor part number. For example, in part number -

SRA16S5SR-100

the seven digit is a '5' which corresponds to the monitor having 2 off M20 x 1.5 cable entry. Refer to table below for details.

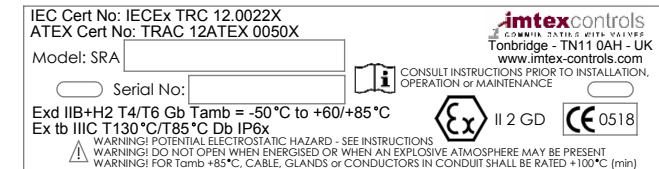
CABLE ENTRY GUIDE	
DIGIT	ENTRIES SUPPLIED
5	(2) M20 x 1.5
8	(1) 3/4"NPT / (1) 1/2" NPT
B	(2) 1/2" NPT
D	(2) M25 x 1.5
E	(1) M25 x 1.5 / (1) M20 x 1.5

NPT Threads conform to ANSI/ASME B1.20.1 and shall be made up wrench tight

Metric Thread tolerance to ISO 965-1 and ISO 965-3

Product Markings

The label on the monitor should be as below:



NOTE: The year of manufacture of the monitor can be obtained from the last 2 digits of the serial number

Referenced Standards

The following standards have been referred to in these instructions and are applicable to the use of this product when used in an environment where an explosive atmosphere may be present:

IEC 60079-0:2011
 IEC60079-1:2007
 IEC 60079-31:2008
 EN60079-0:2009
 EN60079-1:2007
 EN60079-31:2009

REV	DRAWN	DATE	CHK'D	ECO
	PT	2.1.13		12-1973

UNLESS OTHERWISE SPECIFIED:
 DIMENSIONS ARE IN MILLIMETERS
 SURFACE FINISH:
 TOLERANCES:
 LINEAR:
 ANGULAR:

TITLE:
 Installation, Operating & Maintenance
 SRA - IECEx/ATEX

This private & confidential drawing is the property of Imtex Controls Limited, Tonbridge, UK and cannot be copied or reproduced without the express written permission of the Company.

Imtex Controls Limited
 Unit 5A, Valley Industries, Hadlow Road
 Tonbridge, Kent, TN11 0AH, United Kingdom
 Tel:+44(0)1732-850360 Fax:+44(0)1732-852133
 Website: www.imtex-controls.com

DEBUR AND
 BREAK SHARP
 EDGES

MATERIAL:

WEIGHT(g):

DWG NO.

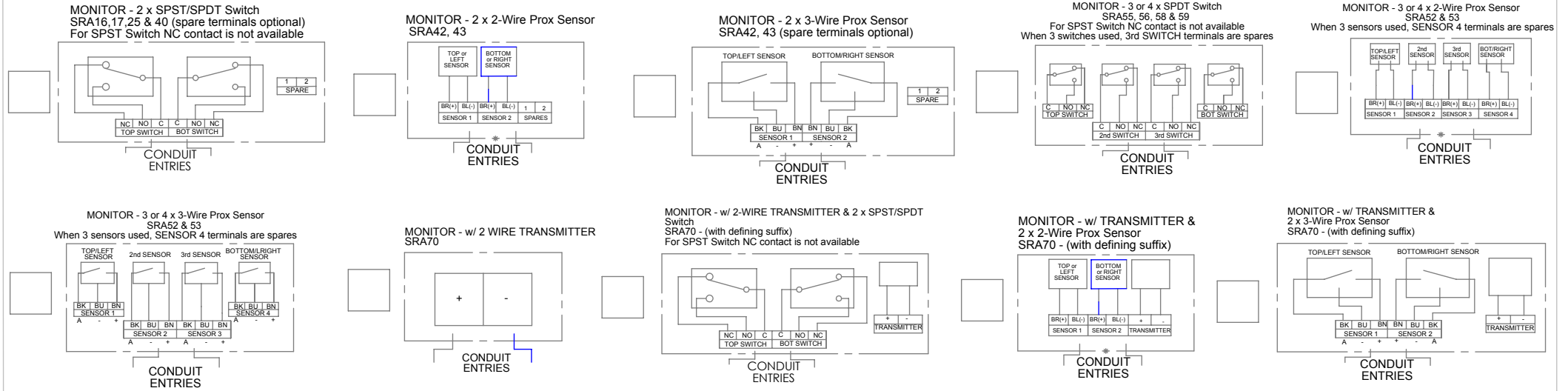
A190291

SCALE:1:5

SHEET 2 OF 3

REV
 -
 STATUS
 R

WIRING DIAGRAMS ('X' Indicates the applicable Diagram)



ELECTRICAL CHARACTERISTICS ('X' Indicates the applicable Rating(s))

<p>SRA16 & 55 - Mechanical w/ Silver Contacts</p> <p>Electrical Ratings: 10.0A @ 125/250VAC 0.5A @ 125 VDC Temp Range: -40 to +60 °C Operating Life: 400,000 Cycles</p> <p>Not recommended for circuits operating less than 20mA @24VDC</p>	<p>AQ/IQ25 & 58 - Maxx-Guard SPDT(Optional Rhodium Contact Version)</p> <p>Electrical Ratings: 0.3A @ 24VDC 0.2A @ 120VAC Max Voltage Drop: 0.1 V @ 10mA / 0.5 V @ 100mA Temp. Range: -40 to +60 °C (T6) or +85 °C (T4) Operating Life: 5,000,000 Cycles</p>	<p>AQ/IQ43 & 53 - NAMUR Proximity Sensor</p> <p>Current Ratings: Target Present - Current < 1.0mA Target Absent - Current > 3.0mA Voltage Range: 5 to 25VDC (nominal 8VDC) Temp. Range: -50 to +60 °C (T6) or +85 °C (T4) Operating Life: Unlimited Cycles</p> <p>Use with intrinsically safe repeater barrier. Namur sensors fully conform to EN60947-5-6 (VDE0660 Part 212) standard.</p>	<p>AQ/IQ70 - Analogue/Digital Transmitter - Programmable</p> <p>Supply Voltage: 8 to 30VDC Internal Consumption: 25mW to 0.8W Voltage Drop: 8VDC Warm Up Time: 5 min Comms Link: Loop Signal / Noise Ratio: min 60 dB Min Response Time: 0.33 s Calibration Temp: +20 to +28 Deg C Op Temp Range: -40 to +60 Deg C</p>
<p>SRA17 & 56 - Mechanical w/ Gold Contacts</p> <p>Electrical Ratings: 1.0A @ 125VAC 0.5A @ 30 VDC Temp Range: -40 to +60 °C Operating Life: 100,000 Cycles</p> <p>Recommended for use in 24VDC computer input circuits</p>	<p>AQ/IQ25 & 58 (-xSW) - SPDT Reed Switch</p> <p>Electrical Ratings: 1.0A Max (Current) 120V Max (Voltage) 10W/VA Max (Power) Temp. Range: -50 to +60 °C (T6) or +85 °C (T4) Operating Life: 5,000,000 Cycles</p>	<p>AQ/IQ70 - Analogue Transmitter - PCB Style</p> <p>Supply Voltage: 10 to 40VDC Max Loading: 700 Ohms @ 24VDC Linearity Error: ±0.85° (max) - Standard ±0.35° (max) - High Performance Op Temp Range: -40 to +82 Deg C</p>	<p>Other Details (see Individual Specification Sheet)</p>
<p>SRA40 & 59 - Maxx-Guard SPST(Hermetically Sealed Reed)</p> <p>Electrical Ratings: 0.15A @ 125VAC / 30VDC Max Voltage Drop: 0.1 V @ 10mA / 0.5 V @ 100mA Temp. Range: -40 to +60 °C (T6) or +85 °C (T4) Operating Life: 5,000,000 Cycles</p>	<p>AQ/IQ42 & 52 - NAMUR Proximity Sensor</p> <p>Current Ratings: Target Present - Current < 1.0mA Target Absent - Current > 3.0mA Voltage Range: 5 to 25VDC (nominal 8VDC) Temp. Range: -25 to +60 °C (T6) or +72 °C (T4) Operating Life: Unlimited Cycles</p> <p>Use with intrinsically safe repeater barrier. Namur sensors fully conform to EN60947-5-6 (VDE0660 Part 212) standard.</p>	<p>AQ/IQ70 - Analogue Transmitter - Non-Contact Style</p> <p>Supply Voltage: 12 to 24VDC Load Impedance: R< (U - 9) / 0.02 Linearity: < 1% of FS Repeatability: < 0.36° Op Temp Range: -40 to +85 Deg C</p>	

<p>Electrical Ratings: Max Current: 3 Amps Max Power: 100 Watts/VA Min Power: 2 Watts Max Voltage Drop: 0.1 V @ 10mA / 0.5 V @ 100mA Temp. Range: -40 to +60 °C (T6) or +85 °C (T4) Operating Life: 5,000,000 Cycles Not recommended for use in 24VDC operating at <20mA</p>	<table border="1" style="width: 100%; border-collapse: collapse;"> <tr> <th>REV</th> <th>DRAWN</th> <th>DATE</th> <th>CHK'D</th> <th>ECO</th> </tr> <tr> <td></td> <td>PT</td> <td>2.1.13</td> <td></td> <td>12-1973</td> </tr> <tr><td> </td><td> </td><td> </td><td> </td><td> </td></tr> <tr><td> </td><td> </td><td> </td><td> </td><td> </td></tr> <tr><td> </td><td> </td><td> </td><td> </td><td> </td></tr> <tr><td> </td><td> </td><td> </td><td> </td><td> </td></tr> </table>	REV	DRAWN	DATE	CHK'D	ECO		PT	2.1.13		12-1973																					<p>UNLESS OTHERWISE SPECIFIED: DIMENSIONS ARE IN MILLIMETERS SURFACE FINISH: 3.2 microns TOLERANCES: LINEAR: ±0.25mm ANGULAR: ±0.5°</p>	<p>TITLE:</p> <h3 style="margin: 0;">Installation, Operating & Maintenance SRA - IECEx/ATEX</h3>
REV	DRAWN	DATE	CHK'D	ECO																													
	PT	2.1.13		12-1973																													

This private & confidential drawing is the property of Imtex Controls Limited, Tonbridge, UK and cannot be copied or reproduced without the express written permission of the Company.

Imtex Controls Limited
Unit 5A, Valley Industries, Hadlow Road
Tonbridge, Kent, TN11 0AH, United Kingdom
Tel: +44(0)1732-850360 Fax: +44(0)1732-852133
[Website: www.imtex-controls.com](http://www.imtex-controls.com)

DEBUR AND BREAK SHARP EDGES
MATERIAL:
WEIGHT(g):

DWG NO.
SCALE: 1:5

A190291

SHEET 3 OF 3

REV
STATUS
A4